

GESTRA Steam Systems

Product Range B1

Level Transmitter NRT 2-1b

NRT 2-1

System Description

Measuring transducer with output of a level-proportional stabilized current 0 to 20 mA or 4 to 20 mA for remote level indication with the GESTRA level probe type NRG 21 or type NRG 26.

Application for continuous measuring of levels in steam boilers, condensate tanks and other vessels.

Design

Plug-in unit in plastic case for installation in control cabinets. The terminals in the case are accessible after loosening two screws and unplugging the unit from its base. To avoid confusion with other plug-in units of the GESTRA range, inserts are fitted in the bases so that only the correct unit may be plugged into each base.

The plug-in units may be snapped onto a 35 mm supporting rail or screwed into position on a mounting panel.

Field enclosures for several plug-in units are available on request.

Technical Data

Function

Measuring transducer for remote level indication with level probe type NRG 26-21, -11, -12 or NRG 21-11, -12, -51, -52

Type-approval No.

TÜV · WR/WS 94-317

Input

3 connections for NRG 21 or NRG 26 or for input current 0 . . . 1 mA at 6.8 Ω

Output

stabilized current 0 . . . 20 mA or 4 . . . 20 mA by an external wire link

Adjustors

2 adjustors for zero point and measuring range

Indicators

1 meter, 40 × 40 mm, scale 0 . . . 100%

Mains supply

24 V, 110 V, 120 V, 220 V, 240 V, 50 . . . 100 Hz, 3.5 VA

(please state voltage when ordering),

24 VDC supply also possible with the ancillary unit type URN-1

Protection

IP 40

Permissible ambient temperature

0 . . . 55 °C

Case materials

Base: ABS plastic, black

Cover: polystyrene (highly shock-resistant), stone grey

Approx. weight

0.5 kg

Important Notes

Recommended cable for wiring to the probe: Screened cable, e.g. 4 × 0.8 mm², max. cable length 100 m.

Order and Enquiry Specifications

GESTRA level transmitter for remote level indication with level probe type NRG 21 or NRG 26:

Level transmitter type NRT 2-1b, plug-in unit in plastic case for installation in control cabinets

Mains supplyV

Associated Equipment

Level controller type NRR 2-1b as three-position stepping controller with proportional action

Max.-min. limit switch type NRS 2-1b for MAX and MIN alarms

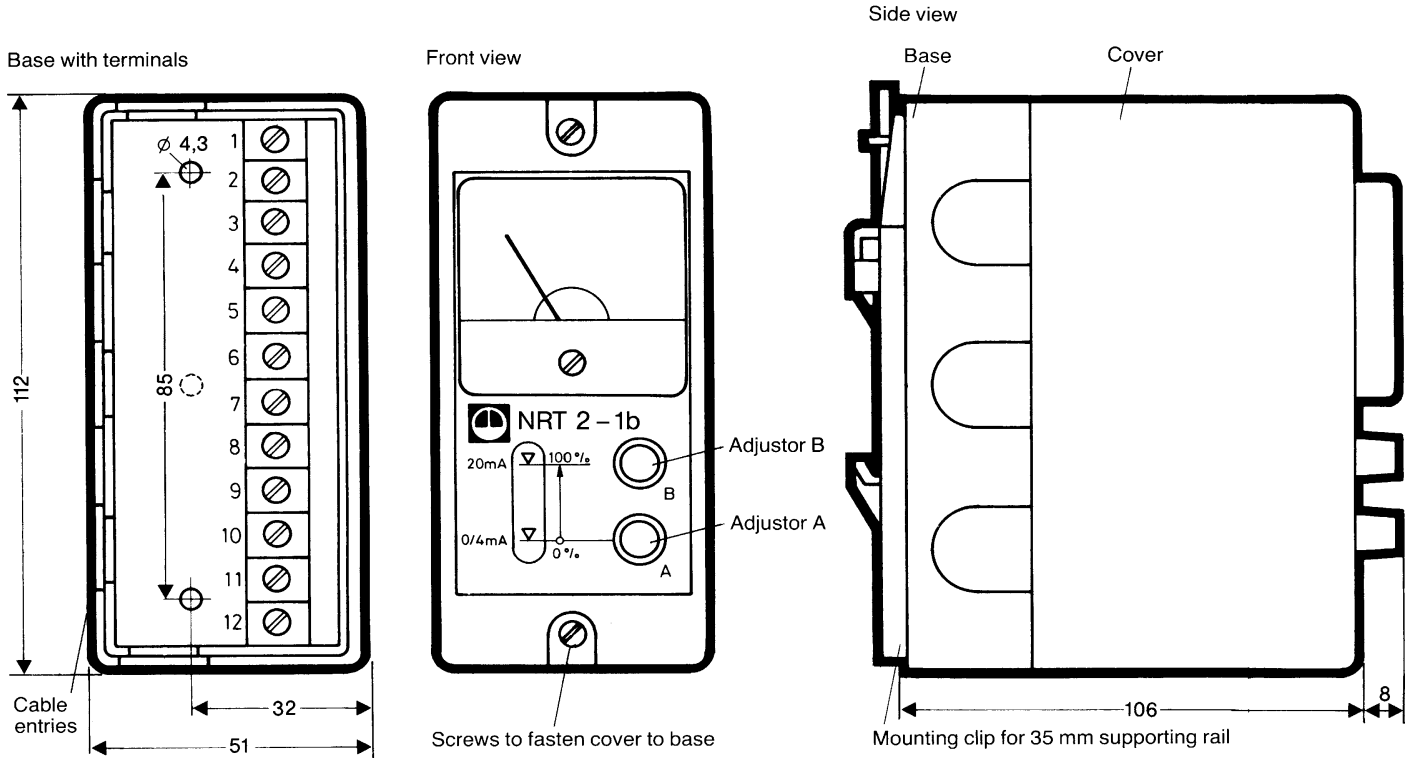
Level indicator type URA with LED analogue display



Level transmitter NRT 2-1

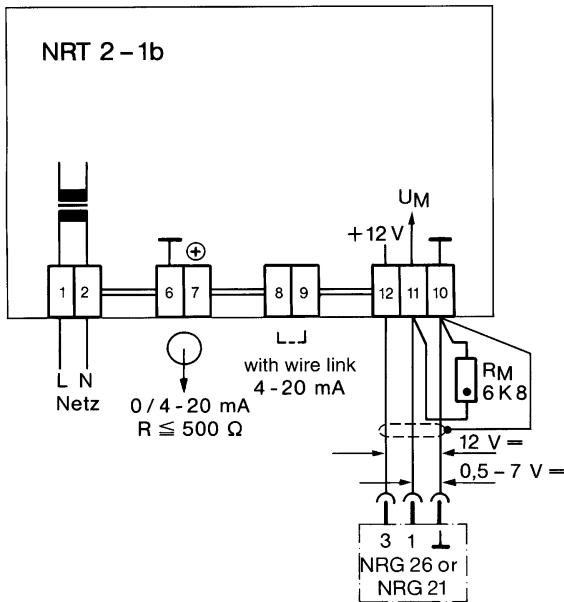
Level Transmitter NRT 2-1b

Dimensions

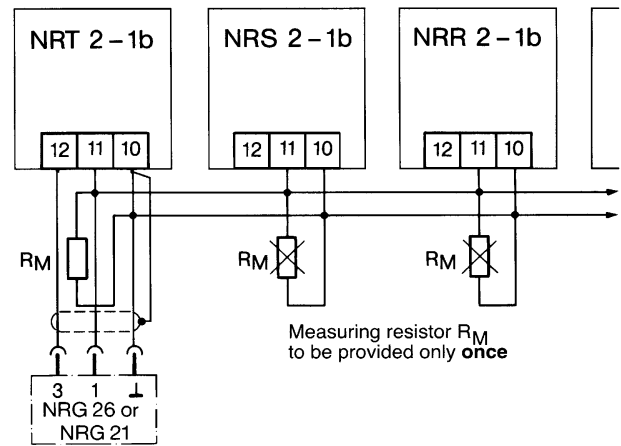


Dimensions of level transmitter type NRT 2-1b

Wiring Diagram



Wiring diagram for level transmitter type NRT 2-1b



Example of parallel connection of several units

Supply in accordance with our general terms of business.

GESTRA AG

Münchener Straße 77, 28215 Bremen, Germany
 Telefon +49 421 3503-0, Telefax +49 421 3503-393
 E-mail info@de.gestra.com, Web www.gestra.de

